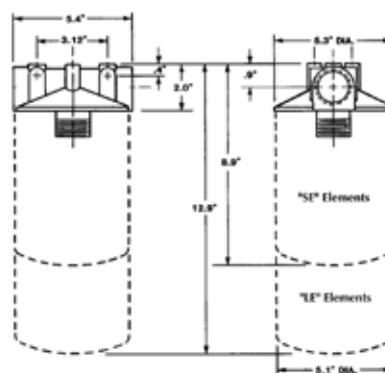


Modelo	Diametro Exterior	Altura	Rosca de Montaje	Micrones	Area del Filtro	Precio
ZIN-SE-10	5.1"	6.9"	1-1/2" - 16	10	950 Sq. In.	\$20.44
ZIN-SE-25	5.1"	6.9"	1-1/2" - 16	25	950 Sq. In.	\$20.44
ZIN-LE-10	5.1"	10.9"	1-1/2" - 16	10	1710 Sq. In.	\$31.84
ZIN-LE-25	5.1"	10.9"	1-1/2" - 16	25	1710 Sq. In.	\$31.84
ZIN-AE-10	3.8"	5.8"	1" - 12	10	547 Sq. In.	\$9.84
ZIN-VE-10	3.7"	5.3"	1-1/8" - 16	10	547 Sq. In.	\$13.72

BASE PORTAFILTROS



Modelo	Puertos de entra y salida	Rosca de Montaje	Valvula By pass	Puerto para manometro	Precio
ZIN-ZAF-07-25-1-3	3/4" NPTF	1 - 12 THD	25 PSI	1/4 NPT	\$17.40
ZIN-SF-100-25-1-3	1" NPTF	1 1/2"-16 THD.	25 PSI	1/4 NPT	\$27.08
ZIN-SF-120-25-1-3	1 1/4" NPTF	1 1/2"-16 THD.	25 PSI	1/4 NPT	\$27.00
ZIN-SF-150-50-0	1 1/2" NPTF	1 1/2"-16 THD.	50 PSI	N/A	Llamar

Fabricante	AE10 REEMPLAZA	SE10 Y SE25 REEMPLAZAN
CAN-FLO	RSE-30-10 RSE-30-25	CF50E10 RSE5010 RSE5025N
CASE	S62427	H341974 R25844
CATERPILLAR		342449 8J1600
CLARK/MICHIGAN	6515541 6516722	6511280 6519239 6591038 6552507
CROSS	1A9021 A19023	1A9251 1A9253
DAVIS	H217307	
DITCH WITCH	155910	
ELGIN SWEEPER	71052	
FIAT-ALLIS	70248399 702483998 72532042	
FORD	193509 CONN6706A CONNB951B CONNB951C	
FORD FRAM	SDF18502	
GMC	6436232 643722B	25011184
GRESEN	1551, 1551001 K22001 1559, 1553003 K22002	K23018 K23019
HYDRA-MAC		3401303
HYSTER	180595	
IHC	201021 C1 528250R1	69149C1
JOHN DEERE	30B0020 AT38431	AT44696 AT58368 R16943 AR43261 AR43634

Fabricante	AE10 REEMPLAZA	SE10 Y SE25 REEMPLAZAN
JOY	1228371 1228372	
KRALINATOR	L37, L54	L194
LENZ	CP75210 CP75230	CP128255
LHA	SPE1510 SPE1525	SPE5010 SPE5025
MASSEY FERGUSON	1033356M1	
MICHIGAN FLUID POWER	S28 S29	2020600 3800004 3800077 S58 20200030 S59
NEW HOLLAND		262546
OWATONNA		17032375
PALL		HC7500SUJ4H HC9500SUJ4H
PARKER HANNFIN	92199 925023	926163B
PRINCE	FA10	FB10
RIPLEY	DF75210 DP75230	
RYCO	Z42, Z53, Z136	
SULLAIR		408242
SUNSTRAND	93220010	97005553
TENNANT	52582	
TORO	239740	8076001 445340
TOWMOTOR	665934	342449
VERSATILE		15801
VICKERS		575942 575943